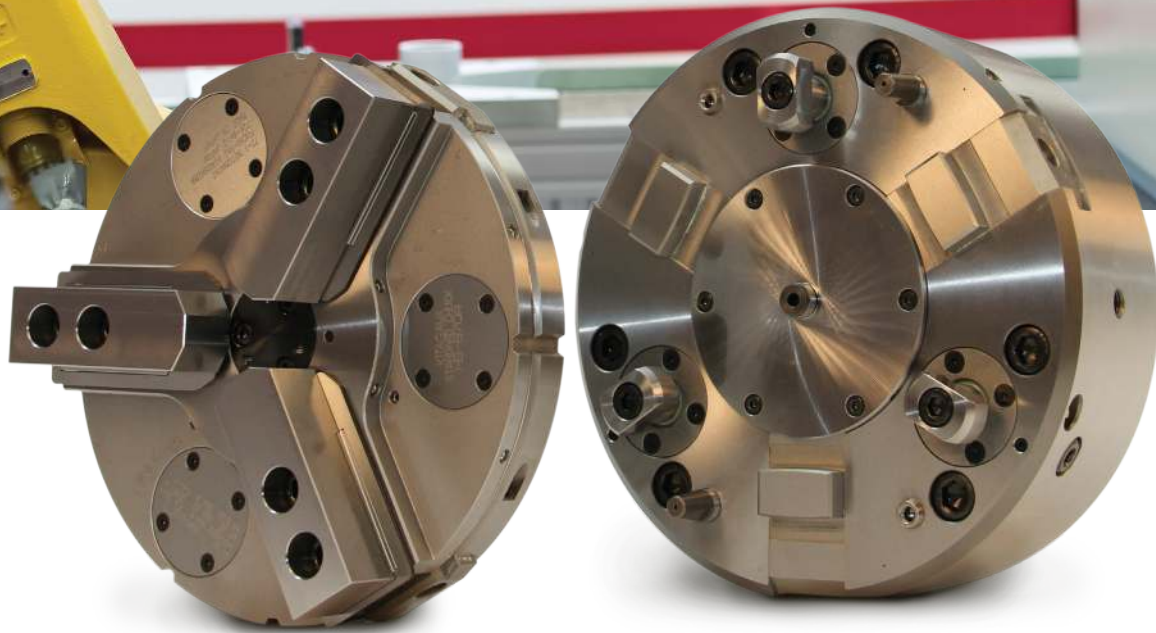


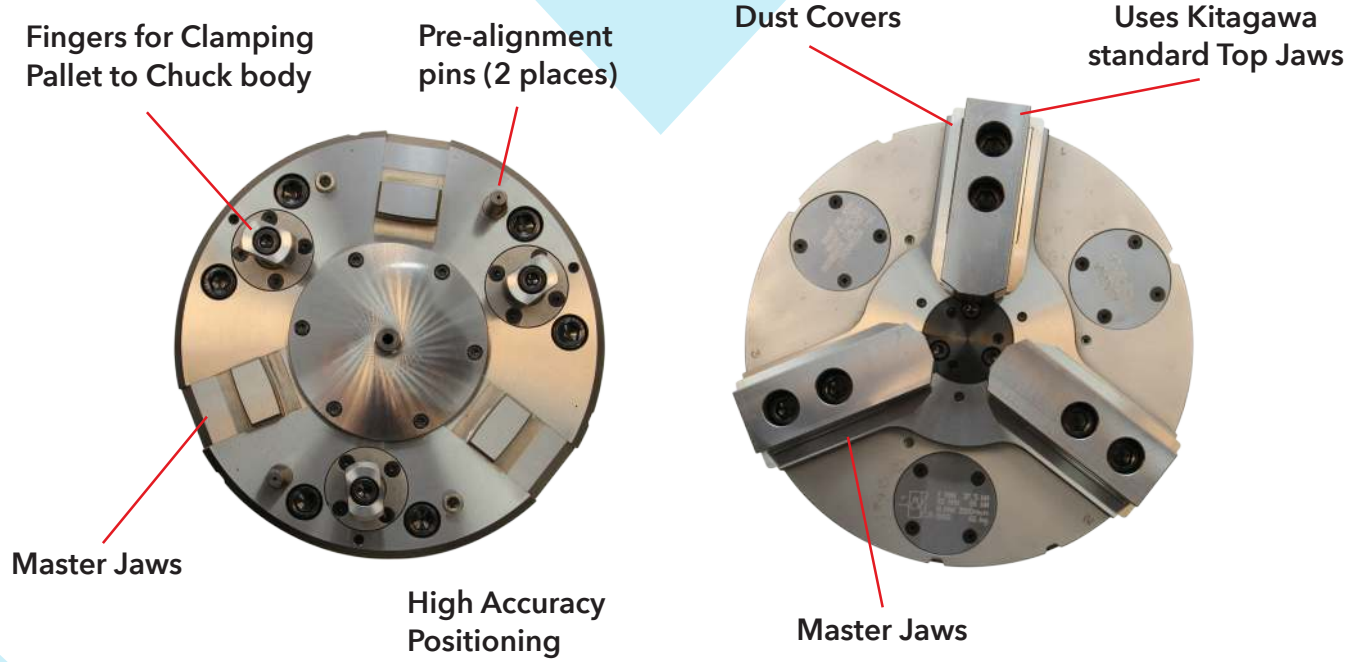
AJPS



Automated Jaw Pallet System
Makes Lower Volume **Automation**
Projects **Flexible & Profitable**

kitagawa[®]
NORTHTECH
REDEFINING PRODUCTIVITY™

AJPS is Engineered with Kitagawa Quality & Workmanship



- Precision high accuracy positioning and repeatability of pallet to chuck body
- Designed for protection from chips and contaminants
- Compact design uses less Z axis space


Superior Gripping Solutions Available



*Kitagawa NorthTech and Our Automation Partners
are Moving Forward*

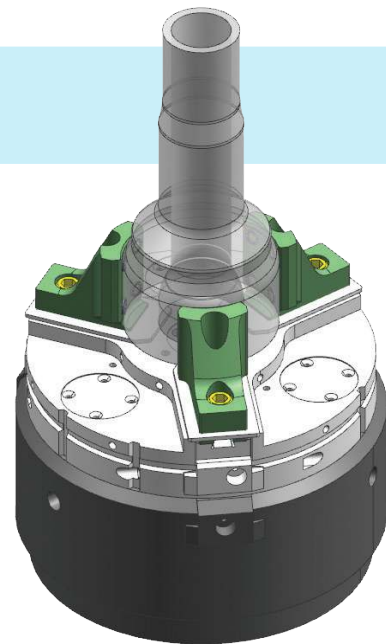


Susie is **Happy** Because Bob Just Told Her She **Doesn't** Have to Work **Overtime** on a **Low Volume**, High Mix **Job** for a Customer.



6:00 PM - With Kitagawa's AJPS and an Automated Robot Cell, lights out, unattended machining operations are made possible

Parts Produced: 180 Pieces
Type: Spindles



Robotic Automation is Finally a Viable Solution for Your Low to Moderate Machining Operations

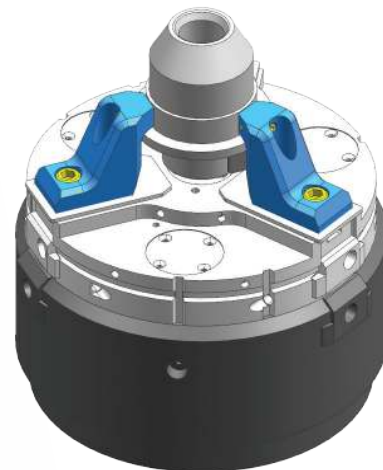


- Jaw Pallet replacing method allows you to change all 3 jaws at once by replacing entire Pallet
- Deliver your work-pieces and Jaw Pallets by Robot or Shuttle
- Flexible capabilities for automated robotic systems and continuous operations unattended
- Ideal for high mix, low volume production



9:56 PM - The AJPS automates workholding changeovers, providing flexibility and maximizing machining productivity

Parts Produced: 112 Pieces
Type: Nozzles



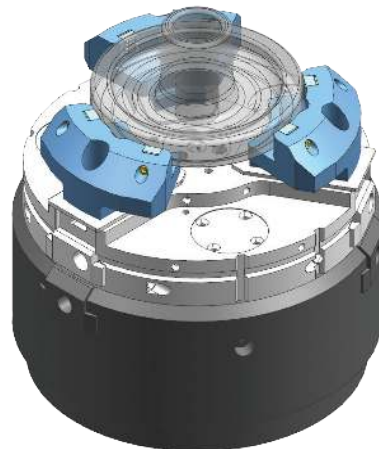


Bob Was Able to **Meet**
His **Deadline** Thanks to
Kitagawa's **AJPS**.
Bob is Very Happy.



2:20 AM - AJPS continues to
run multiple jobs consecutively
overnight, from one to another
for higher profits

Parts Produced: 36 Pieces
Type: Clutch Plates





301 E. Commerce Drive, Schaumburg, IL 60173
800.222.4138 | www.kitagawa.com | info@kitagawa.com